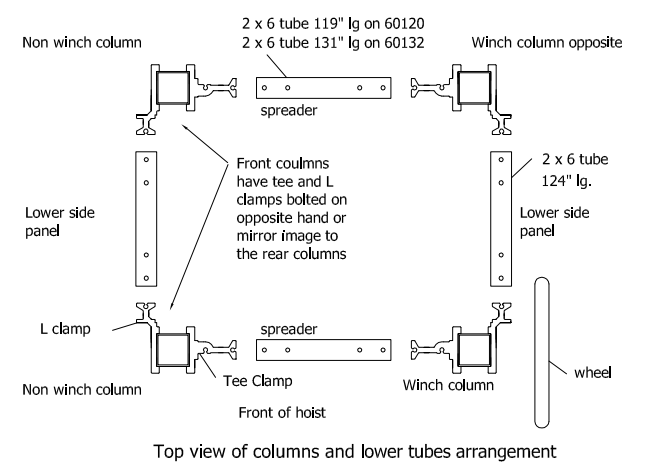
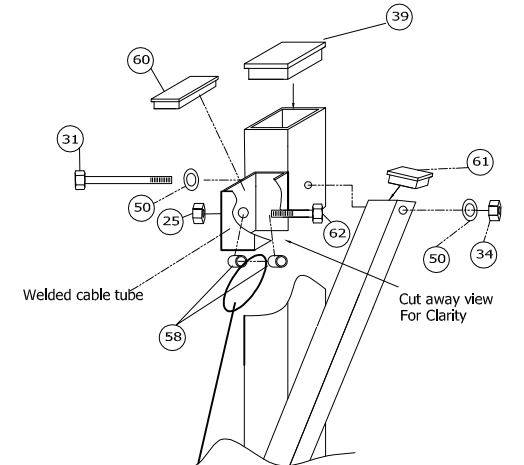
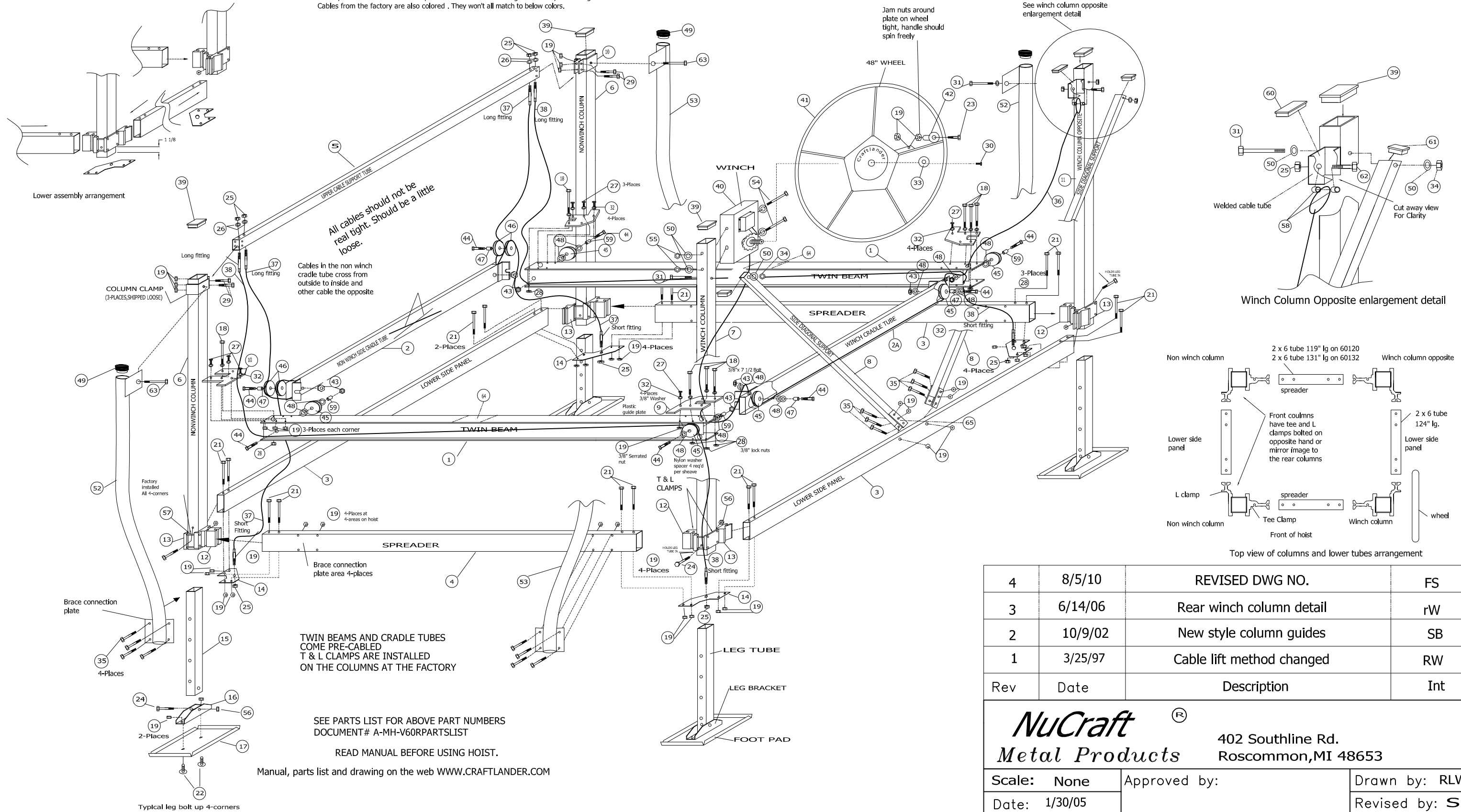


**AN ASSEMBLY VIDEO FOR THIS HOIST IS AVAILABLE ONLINE AT:
WWW.YOUTUBE.COM/CRAFTLANDER**

Note: Bolt thread area should be on outside of hoist

If this print has colored cables they are for easier understanding of how they are strung. Cables from the factory are also colored. They won't all match to below colors.



TWIN BEAMS AND CRADLE TUBES COME PRE-CABLED T & L CLAMPS ARE INSTALLED ON THE COLUMNS AT THE FACTORY

SEE PARTS LIST FOR ABOVE PART NUMBERS DOCUMENT # A-MH-V60RPARTSLIST

READ MANUAL BEFORE USING HOIST.

Manual, parts list and drawing on the web WWW.CRAFTLANDER.COM

Please Note that cable lifting method before 1997 was different than above. Please contact dealer for correct cables and parts.

4	8/5/10	REVISED DWG NO.	FS
3	6/14/06	Rear winch column detail	rW
2	10/9/02	New style column guides	SB
1	3/25/97	Cable lift method changed	RW
Rev	Date	Description	Int

NuCraft [®]
Metal Products
402 Southline Rd.
Roscommon, MI 48653

Scale: None Approved by: Drawn by: RLW
Date: 1/30/05 Revised by: SB

**Assembly & Part locations for
MH-V60120 & MH-V60132**

CRAFTLANDER
Drawing Number
A-MH-V60R