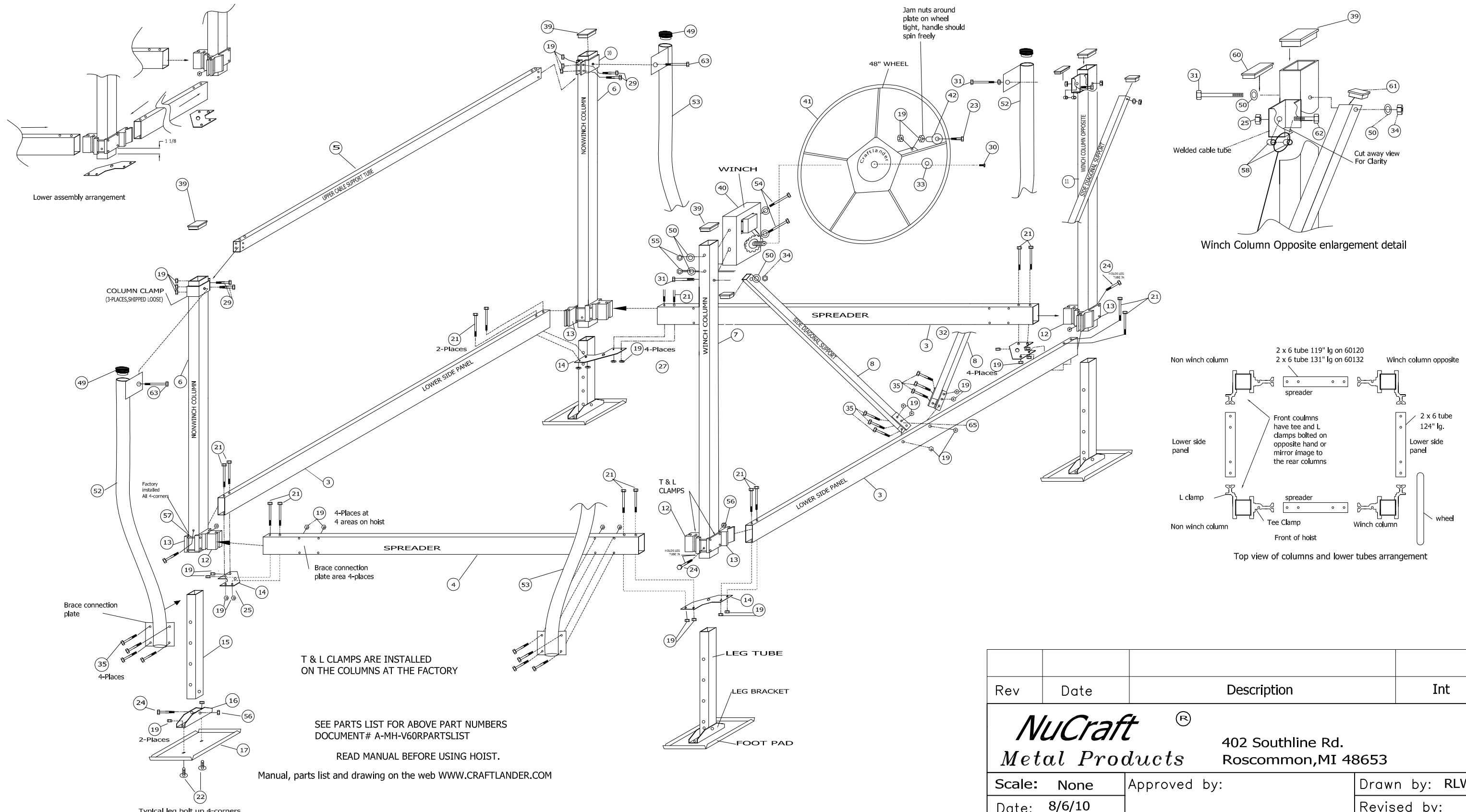
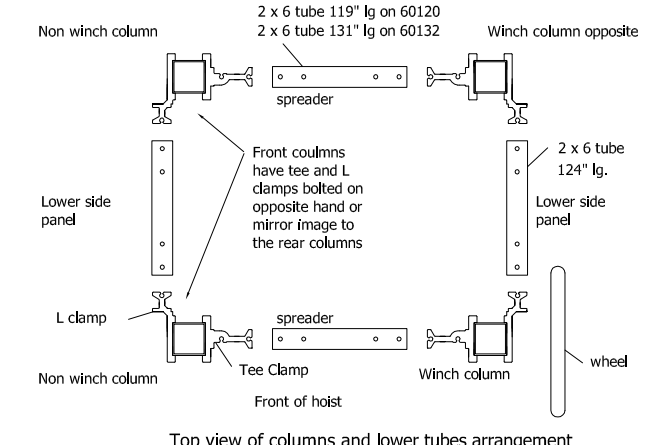


Note: Bolt thread area should be on outside of hoist

AN ASSEMBLY VIDEO FOR THIS HOIST
IS AVAILABLE ONLINE AT:
WWW.YOUTUBE.COM/CRAFTLANDER



Winch Column Opposite enlargement detail



Top view of columns and lower tubes arrangement

T & L CLAMPS ARE INSTALLED ON THE COLUMNS AT THE FACTORY

SEE PARTS LIST FOR ABOVE PART NUMBERS
DOCUMENT# A-MH-V60RPARTSLIST

READ MANUAL BEFORE USING HOIST.

Manual, parts list and drawing on the web WWW.CRAFTLANDER.COM

Typical leg bolt up 4-corners

OUTER FRAME ASSEMBLY

Rev	Date	Description	Int
		402 Southline Rd. Roscommon, MI 48653	
Scale: None		Approved by:	Drawn by: RLW
Date: 8/6/10			Revised by:
Assembly & Part locations for MH-V60120 & MH-V60132			
			Drawing Number A-MH-V60R-1