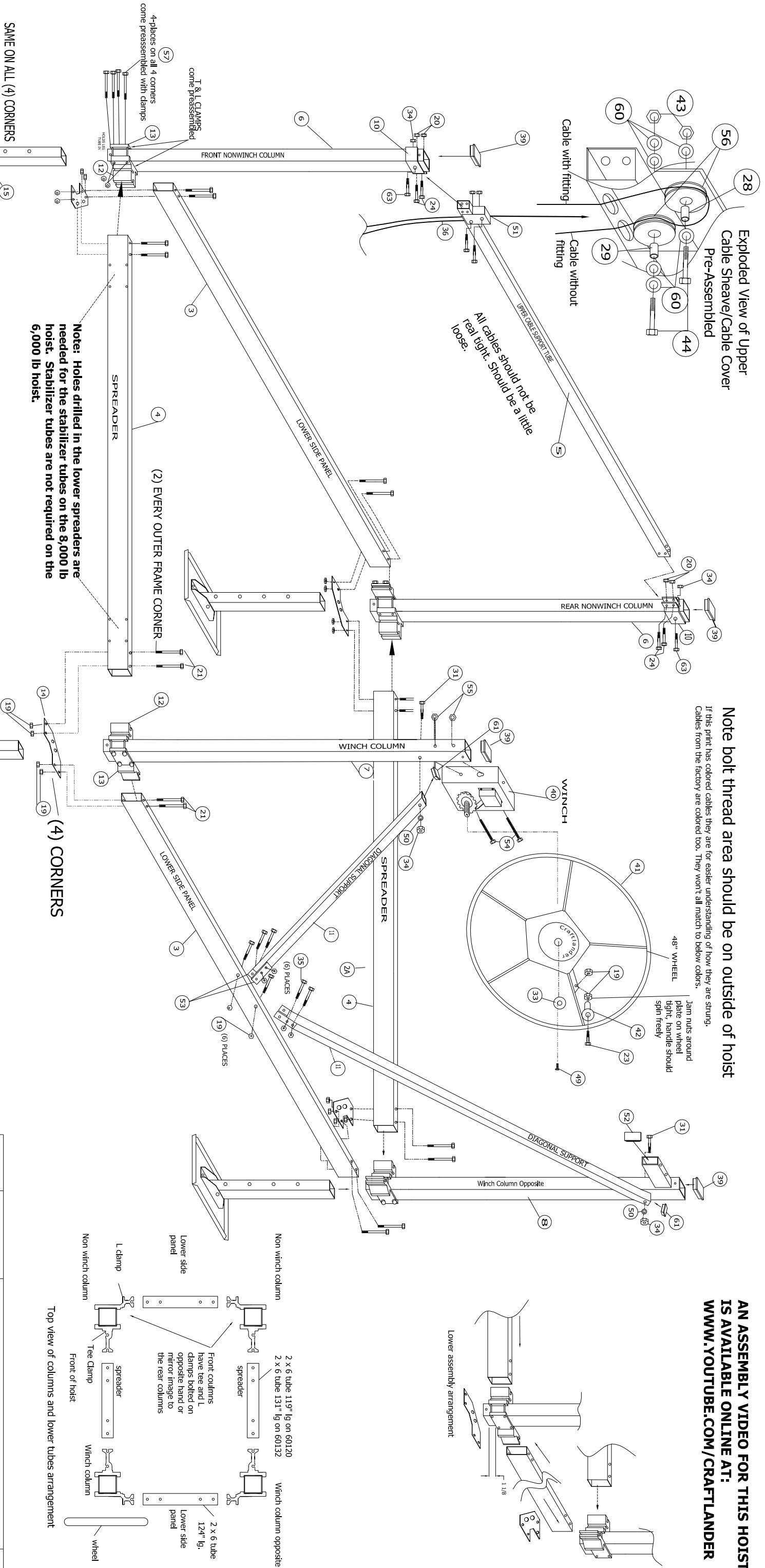


**AN ASSEMBLY VIDEO FOR THIS HOIST IS AVAILABLE ONLINE AT:
WWW.YOUTUBE.COM/CRAFTLANDER**

Note bolt thread area should be on outside of hoist

If this print has colored cables they are for easier understanding of how they are strung. Cables from the factory are colored too. They won't all match to below colors.

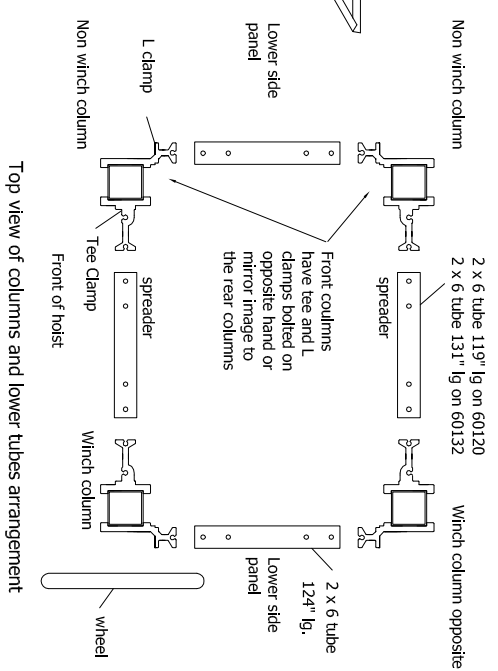
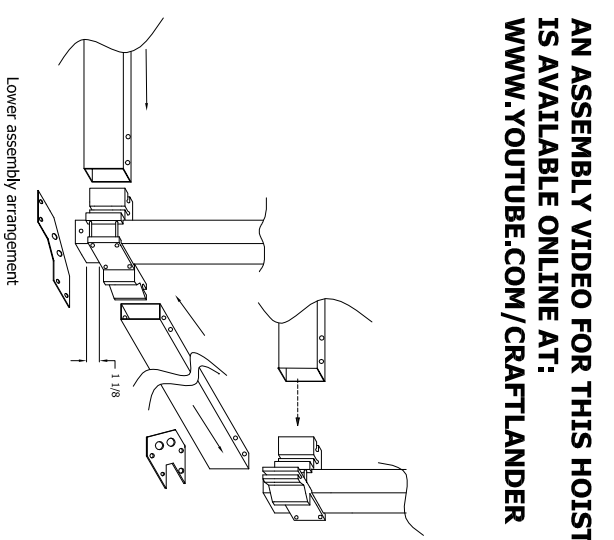


SAME ON ALL (4) CORNERS

TWIN BEAMS(#1) AND CRADLE TUBES(#2 & 2A) COME PRE-CABLED T & L CLAMPS ARE INSTALLED ON THE COLUMNS AT THE FACTORY

SEE PARTS LIST FOR ABOVE PART NUMBERS
DOCUMENT # A-MH-V60R13PARTSLIST
READ MANUAL BEFORE USING HOIST.
Manual parts list and drawing on the web WWW.CRAFTLANDER.COM
NOTE: WHEN ORDERING REPLACEMENT PARTS A SERIAL NUMBER WILL BE REQUIRED TO ENSURE RECEIPT OF CORRECT ITEMS

Typical leg bolt up 4-corners



Rev	Date	Description	Int
		Metal Products 402 Southline Rd. Roscommon, MI 48653	
Scale: None		Approved by: FS	
Date: 3/19/13		Drawn by: FS	
Assembly and part locations for MH-V60120 & MH-V60132		Drawing Number	
Year 2013		A-MH-V60R-13-1	