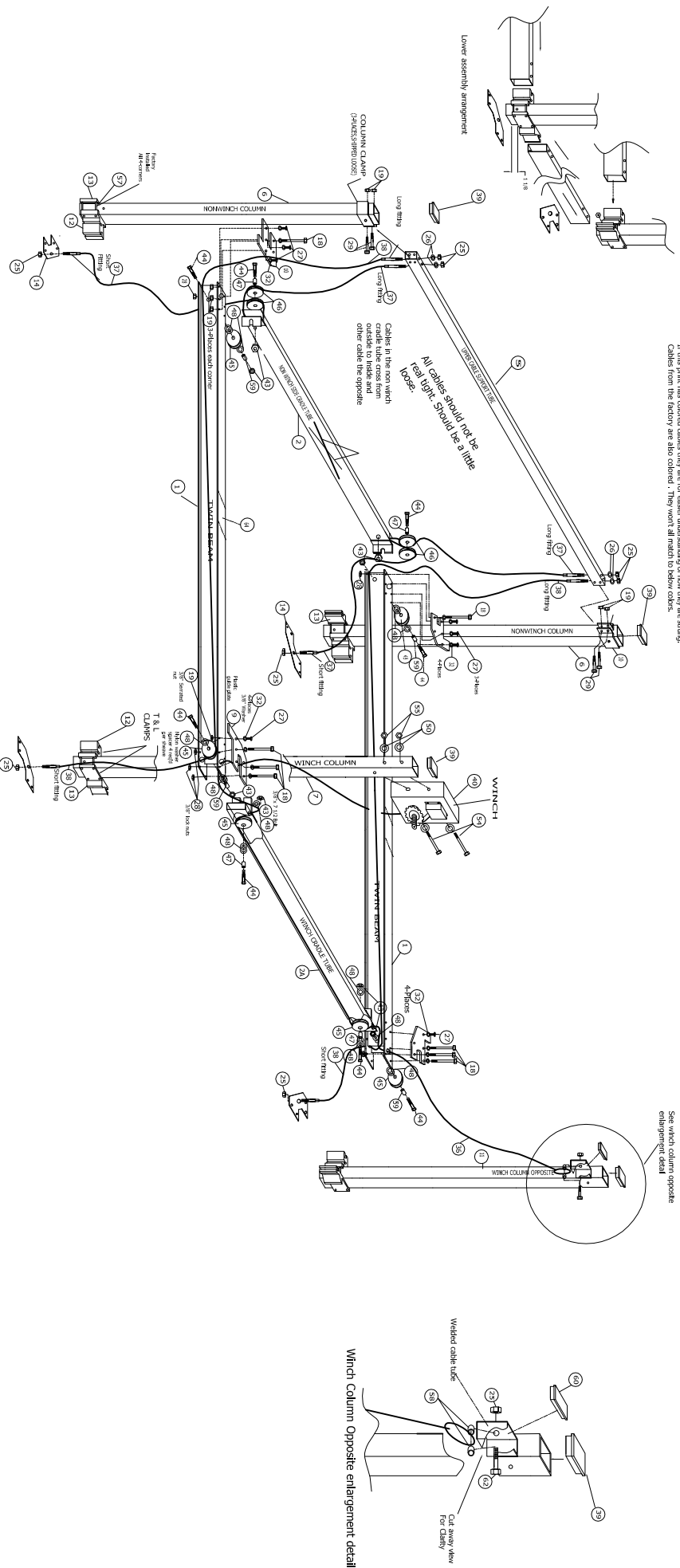


AN ASSEMBLY VIDEO FOR THIS HOIST
IS AVAILABLE ONLINE AT:
WWW.YOUTUBE.COM/CRAFTLANDER

Note: Bolt thread area should be on outside of hoist.

If this print has colored cables they are for easier understanding of how they are strung.
Cables from the factory are also colored. They won't all match to below colors.



TWIN BEAMS AND CRADLE TUBES
COME PRE-CABLED
& L CLAMPS ARE INSTALLED
ON THE COLUMNS AT THE FACTORY

SEE PARTS LIST FOR ABOVE PART NUMBERS
DOCUMENT # A-MH-V60RPARTSLIST
READ MANUAL BEFORE USING HOIST.
Manual, parts list and drawing on the web WWW.CRAFTLANDER.COM

INNER FRAME ASSEMBLY

Please Note that cable lifting method before
1997 was different than above. Please contact
dealer for correct cables and parts.

Rev	Date	Description	Int
		<p>NUCRAFT ©</p> <p><i>Metal Products</i></p> <p>402 Southline Rd. Roscommon, MI 48653</p> <p>Approved by:</p> <p>Scale: None</p> <p>Date: 1/30/05</p> <p>Assembly & Part Locations for MH-V60120 & MH-V60132</p>	
		<p>Drawn by: RLW</p> <p>Revised by: SB</p>	
		<p>CRAFTLANDER ®</p>	<p>Drawing Number A-MH-V60R-2</p>