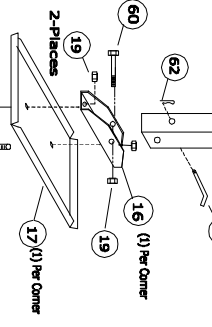
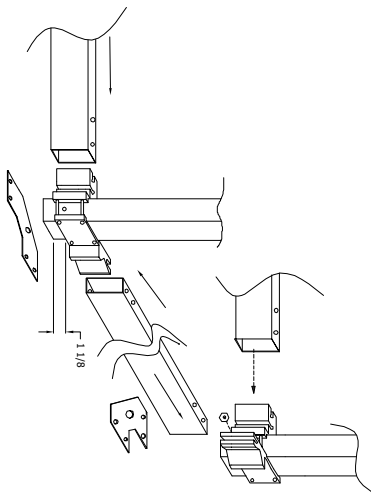
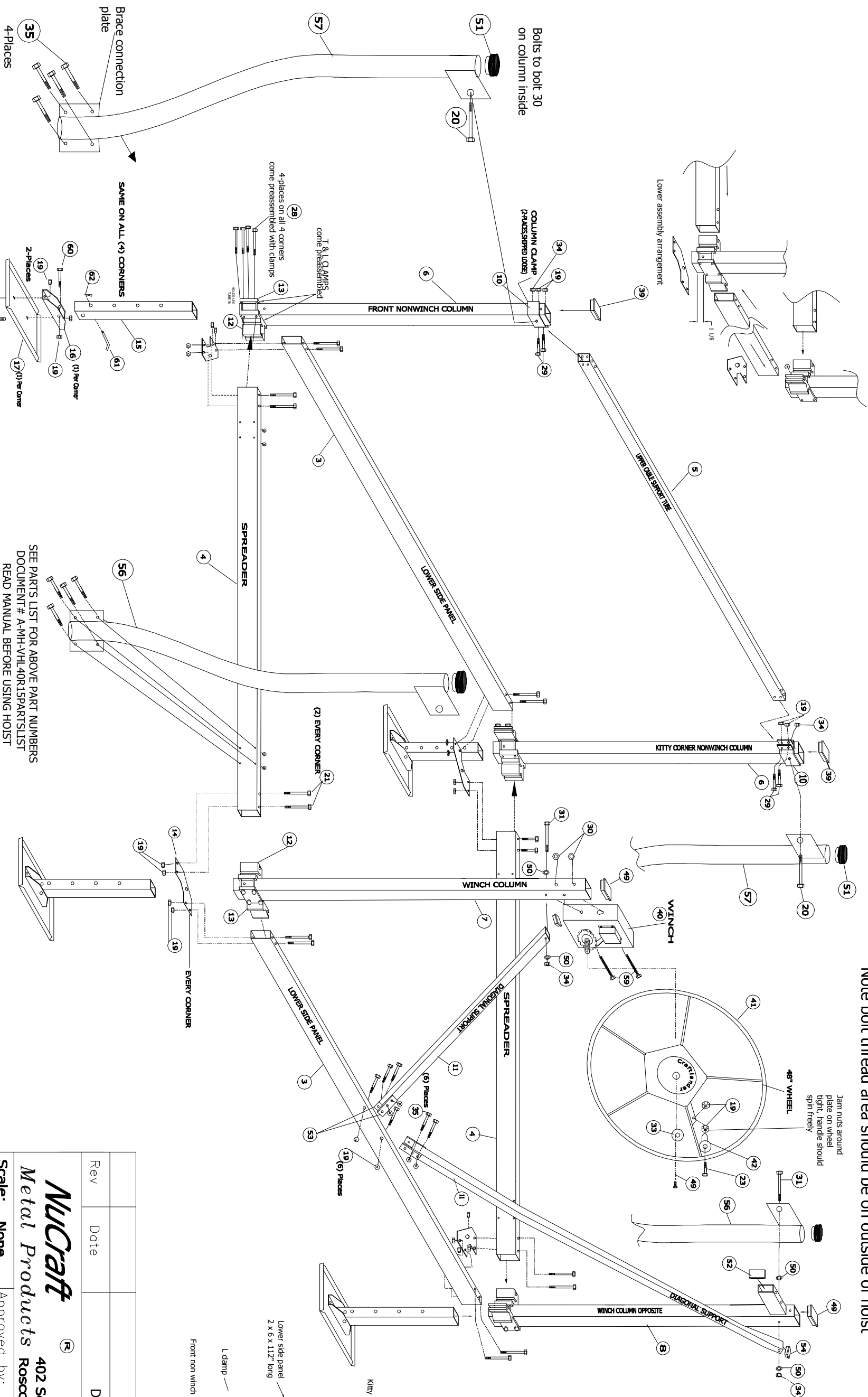


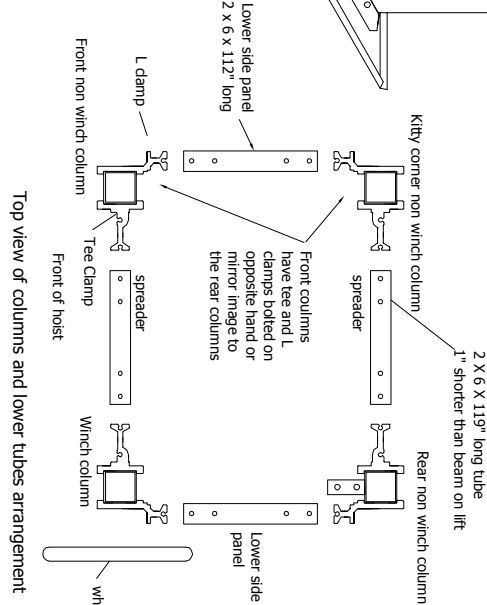
Note bolt thread area should be on outside of hoist



Manual, parts list and drawing on the web WWW.CRAFTLANDER.COM
 NOTE: WHEN ORDERING REPLACEMENT PARTS A SERIAL NUMBER WILL BE REQUIRED TO ENSURE RECEIPT OF CORRECT ITEMS

OUTER FRAME ASSEMBLY

SEE PARTS LIST FOR ABOVE PART NUMBERS
 DOCUMENT # A-MH-VHL40R15PARTSLIST
 READ MANUAL BEFORE USING HOIST



Rev	Date	Description	Int
<p>NuCraft [®] 402 Southline Rd. Metal Products Roscommon, MI 48653</p>			
<p>Scale: None</p>		<p>Approved by:</p>	
<p>Date: 2/9/2010</p>		<p>Drawn by: RLW</p>	
<p>Assembly and Parts Locations for MH-VHL40120 after year 2010</p>			<p>Drawing Number A-MH-VHL40R15-1</p>